

**HAND TELEPHONE SETS — 212A, B, C**  
**HANG-UP TYPE — COMMON BATTERY — CONNECTIONS**  
**WITH INDUCTION COIL TYPE SUBSCRIBER SETS**

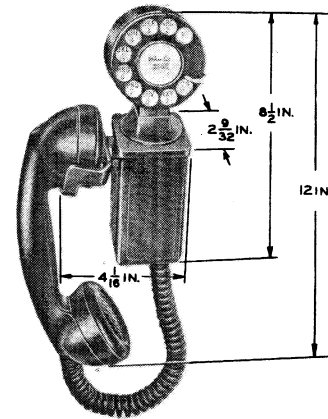
**1.00 INTRODUCTION**

This section covers the combination of apparatus, circuit diagrams, and connections for the 212A, B, and C hang-up type hand telephone sets when used with induction coil type subscriber sets for either manual or dial common battery service.

**2.00 GENERAL**

**2.01** The 212A, B, and C types may be used for all classes of service including party-on-tip stations of 2-party service when a message rate and tip party identification feature is required.

**2.02** The 212A and C are the same as the 212B with the exception of the type of dial number plate furnished. The 212B has the standard dial number plate with black letters and red numerals.



**FIG. 1—212 TYPE**

**TABLE A**  
**COMBINATION OF APPARATUS**

Hand Tel. Set Code	Components				
	Handset	Handset Mounting	Dial or Apparatus Blank	Dial Mounting	Handset Cord
212B-3E (Modified)	E1E-3	G2-3	Number Card Holder	—	H-3
212B-3F (Modified)	F1A-3 F1G-3				
212B-3F (Modified)	F4A-3				
212B-3E (As furnished)	E1E-3		4H or 5H	43A-3	
212B-3F (As furnished)	F1A-3 F1G-3		5H or 6A		
212B-3F (Modified)	F4A-3		5H or 6A		

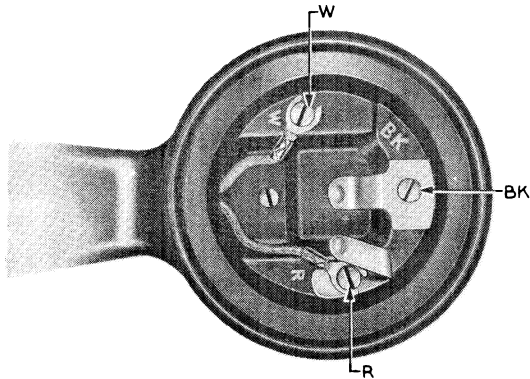


FIG. 2—F1- AND F4-TYPE HANDSET

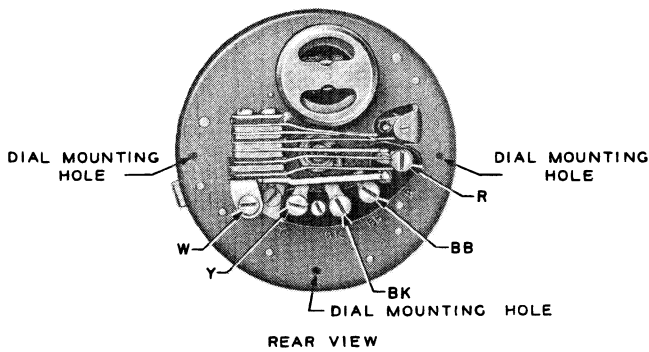


FIG. 3—5H-TYPE DIAL

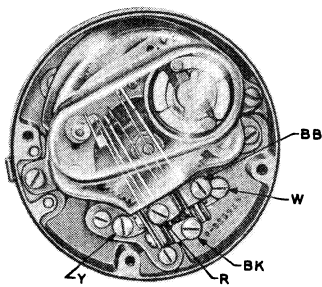


FIG. 4—6A-TYPE DIAL

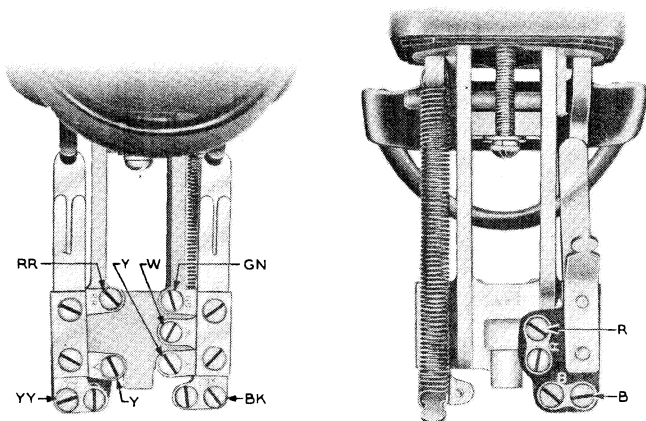
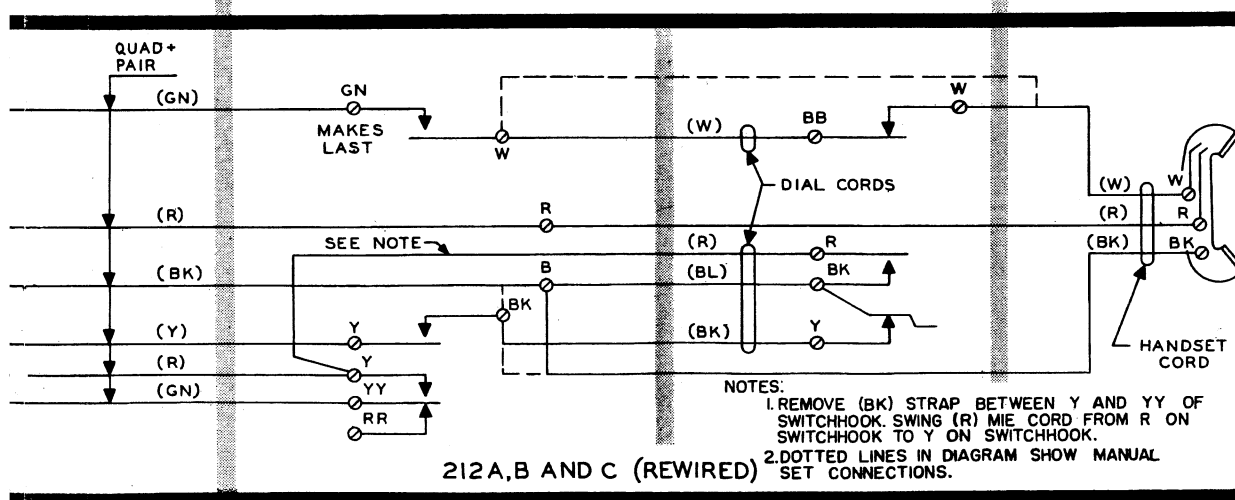
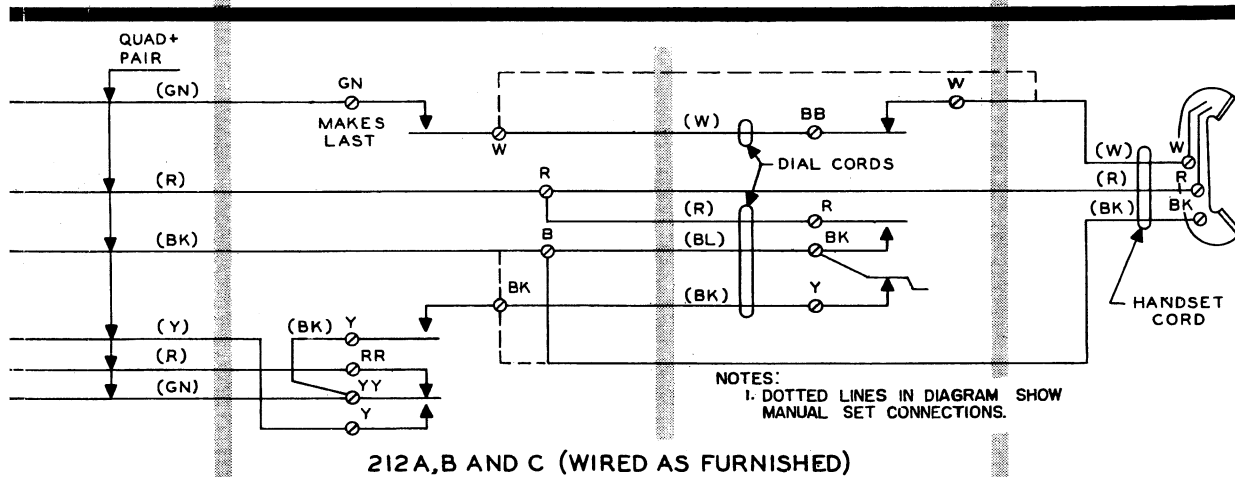
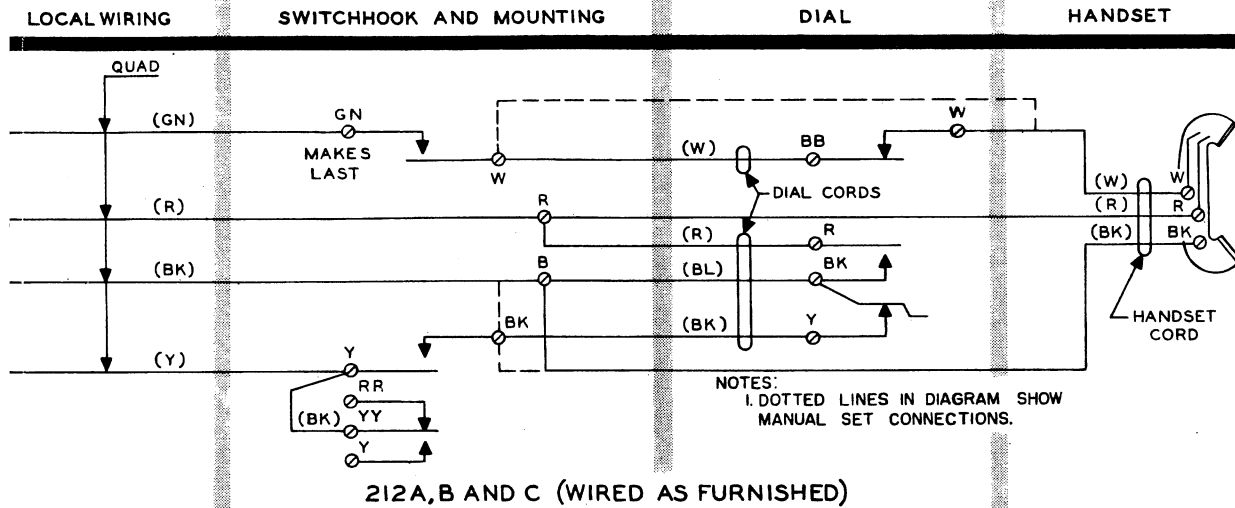


FIG. 5—G2-TYPE HANDSET MOUNTING

ASSOCIATED APPARATUS

	Class of Service	Sub. Set
TABLE B	Individual Lines 2-Party Flat Rate* 2-Party Message Rate (Manual and Dial Ring party Only)* 4-Party Semiselective Multiparty Divided Code Regular PBX Stations 750A and 755A Keyless Stations	634A, BA 684A, BA
	4-Party Full Selective 8-Party Semiselective	634AT
*No message rate or tip party identification can be provided for party-on-tip stations.		
TABLE C	2-Party Flat Rate 2-Party Message Rate Where message rate or tip party identification is required for party-on-tip stations, only 1000-ohm tip-to-ground resistance can be provided, i.e., MR —All offices ZR —All offices AMA—Standard X-bar	634BC 684BC
	May also be used for these classes of service: Individual Lines 4-Party Semiselective Multiparty Divided Code Regular PBX Stations 750A and 755A Keyless Stations	
TABLE D	2-Party Flat Rate 2-Party Message Rate Where message rate or tip party identification is required for party-on-tip stations, both 1000- and 3640-ohm tip-to-ground resistance can be provided, i.e., MR —All offices ZR —All offices AMA—Standard X-bar	634CE
	AMA—Modified X-bar AMA—SxS AT —SxS	
May also be used for these classes of service: Individual Lines 4-Party Semiselective Multiparty Divided Code Regular PBX Stations 750A and 755A Keyless Stations		

3.00 CIRCUIT DIAGRAMS



3.01 The 212-type set is arranged for, but not equipped with, a 61M filter for radio-frequency suppression. When this filter is required, remove the dial cord between Y of the dial and BK of the switchhook and connect filter as shown in Fig. 6.

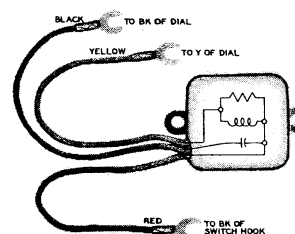


FIG. 6—61M FILTER CONNECTIONS